

New Release
Greater Field Performance



135 WATT

HIGH EFFICIENCY MULTICRYSTAL
PHOTOVOLTAIC MODULE



KD135SX-UPU

NEC 2008 Compliant
UL1703, Class C
CLASS I, DIV II



CUTTING EDGE TECHNOLOGY

As a pioneer with 35 years in solar, Kyocera demonstrates leadership in the development of solar energy products. Kyocera's *Kaizen* Philosophy, commitment to continuous improvement, is shown by repeatedly achieving world record cell efficiencies.

Kyocera Quality Built In:

- New frame technology allows for end mounting under 2400 Pa (50 psf) and traditional mounting under 5400 Pa (113 psf) to support increased snow load
- UV stabilized, aesthetically pleasing black anodized frame
- Supported by all major mounting structure manufacturers
- Easily accessible grounding points on all four corners for fast installation
- Proven junction box technology

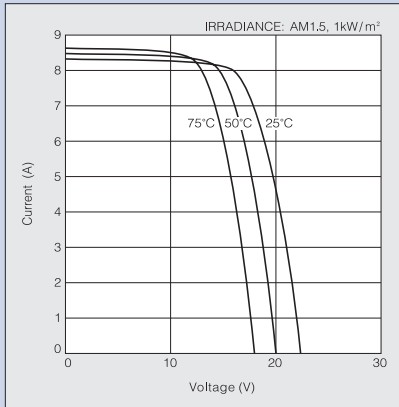
Kyocera manufactures and assembles solar cells and modules at its own worldwide production sites using a true vertical integration process. This superior approach gives Kyocera complete control over every step of the manufacturing process, producing modules with the industry's tightest power tolerance, promising high quality and efficiency.

- Built-In Quality for Off-Grid Applications
- Proven Superior Field Performance
- Tight Power Tolerance
- 20 Year Warranty
- 5 Year Workmanship Warranty

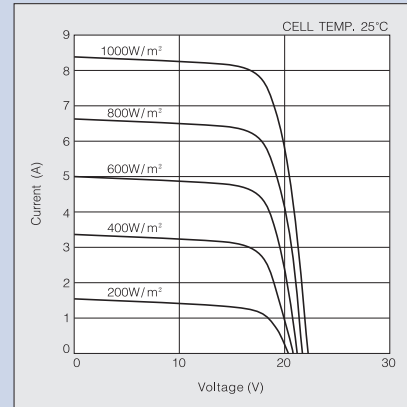
KD135SX-UPU

ELECTRICAL CHARACTERISTICS

Current-Voltage characteristics of Photovoltaic Module KD135SX-UPU at various cell temperatures



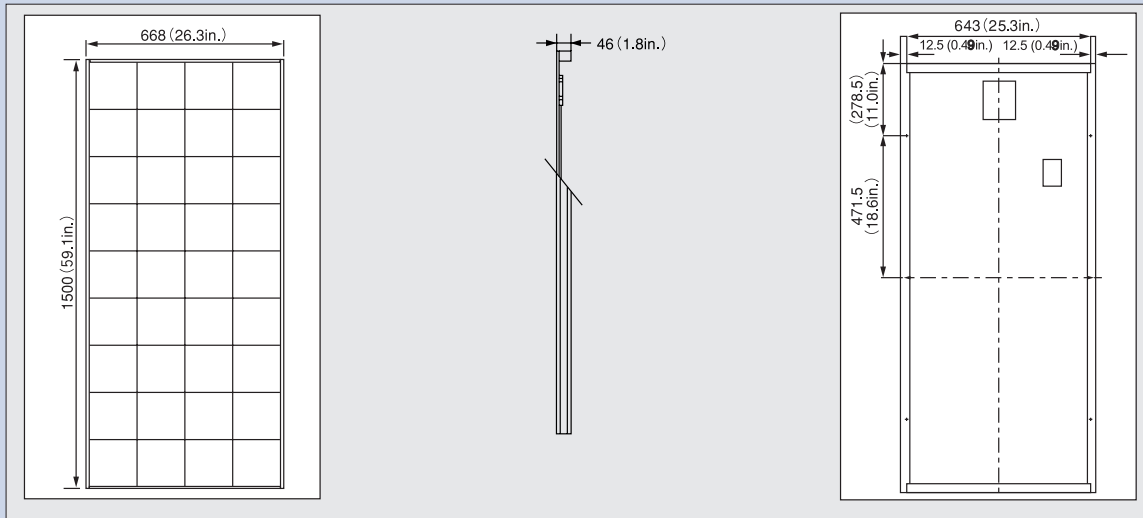
Current-Voltage characteristics of Photovoltaic Module KD135SX-UPU at various irradiance levels



SPECIFICATIONS

Physical Specifications

Unit : mm (in.)



Specifications

Electrical Performance under Standard Test Conditions (*STC)

Maximum Power (Pmax)	135W (+5%/-5%)
Maximum Power Voltage (Vmpp)	17.7V
Maximum Power Current (Impp)	7.63A
Open Circuit Voltage (Voc)	22.1V
Short Circuit Current (Isc)	8.37A
Max System Voltage	600V
Temperature Coefficient of Voc	-8.0x10 ⁻² V/°C
Temperature Coefficient of Isc	5.02x10 ⁻³ A/°C

*STC : Irradiance 1000W/m², AM1.5 spectrum, cell temperature 25°

Electrical Performance at 800W/m², *NOCT, AM1.5

Maximum Power (Pmax)	95W
Maximum Power Voltage (Vmpp)	15.7V
Maximum Power Current (Impp)	6.10A
Open Circuit Voltage (Voc)	20.0V
Short Circuit Current (Isc)	6.79A

*NOCT (Nominal Operating Cell Temperature) :47.9°C

Cells

Number per Module	36
-------------------	----

Module Characteristics

Length x Width x Depth	1500mm(59.1in)x668mm(26.3in)x46mm(1.8in)
Weight	12.5kg(27.5lbs.)

Junction Box Characteristics

Length x Width x Depth	150mm(5.9in)x140mm(5.5in)x37.2mm(1.5in)
IP Code	IP65

Others

*Operating Temperature	-40°~90°C
Maximum Fuse	15A

*This temperature is based on cell temperature.

ISO 9001 and ISO 14001 Certified and Registered

www.kyocerasolar.com

800-223-9580 toll free 800-523-2329 fax

